



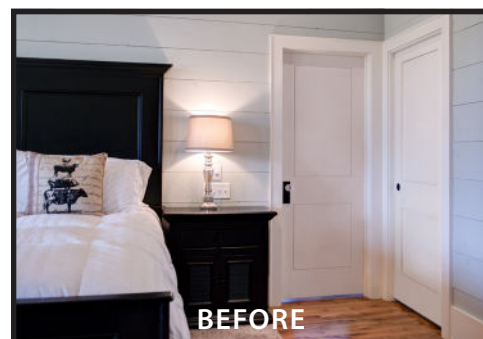
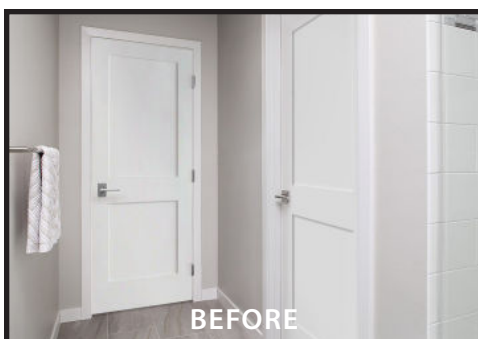
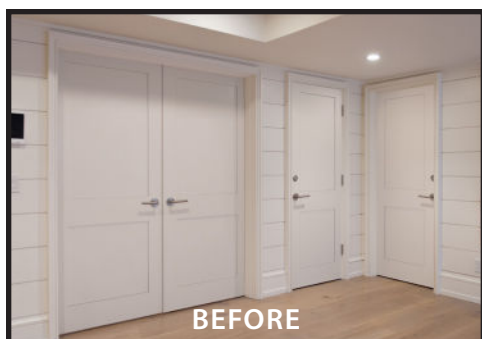
Why TruStile?

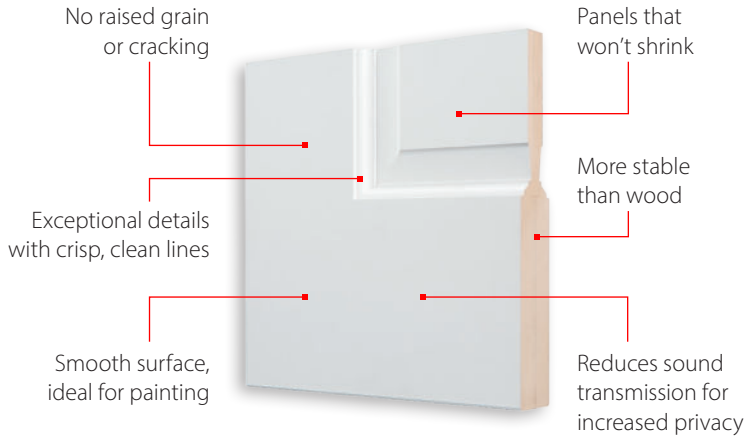
At TruStile, we believe that every opening is an opportunity to enhance your home's design. Our commitment is to provide discerning building professionals and homeowners with interior doors that support the needs of today's custom projects. Discover how TruStile elevates traditional Shaker doors with custom details, styles, and superior construction.

- The broadest product line that is highly configurable and built to your exact specifications.
- Unique glass, mirrors and profile options to differentiate your design and enhance the look, feel and flow of any room.
- Built with genuine stile and rail construction.

TruStile Design Difference

Custom details added to traditional shaker doors can elevate the look, feel and flow of the entire space.



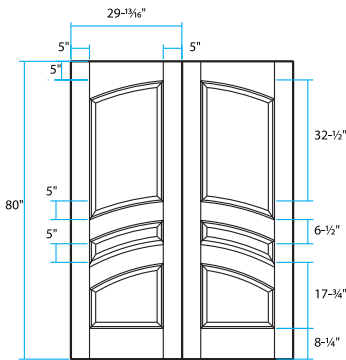
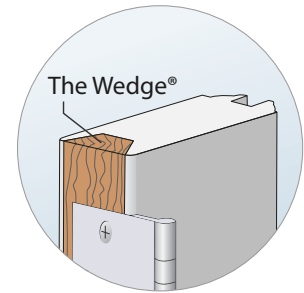


Material Construction

TruStile pioneered the use of medium density fiberboard (MDF) as a preferred material for stile and rail painted door applications. Each MDF door has been engineered for maximum stability and durability. They won't shrink, crack, expand or warp when exposed to environmental conditions.

Hardwood Edge System

TruStile MDF doors come standard with The Wedge®, our field-proven hardwood edge system. Designed to stand up to daily use, The Wedge provides superior rigidity, stability and screw-holding power.



Built to Your Exact Specifications

Every TruStile door is made to order, built to your exact specifications. Each door is constructed to provide superior, architecturally-correct details and an unequaled finishing surface.

Not Every Door is Created Equal

TruStile builds its MDF doors using traditional stile & rail construction, a method usually reserved for wood doors. Unlike low-grade options, our premium MDF doors are solid and never filled with cheap core materials. They deliver a heavy swing weight that you can feel.



Cross sections of low quality molded and routed doors



Perfect for Painted Doors

MDF doors are ideal for painted applications and make an affordable alternative to wood doors. The super-refined MDF that TruStile uses provides a smoother painting surface than pine, poplar or lower-grade MDF alternatives.

TRUStILE[®]
A MARVIN BRAND